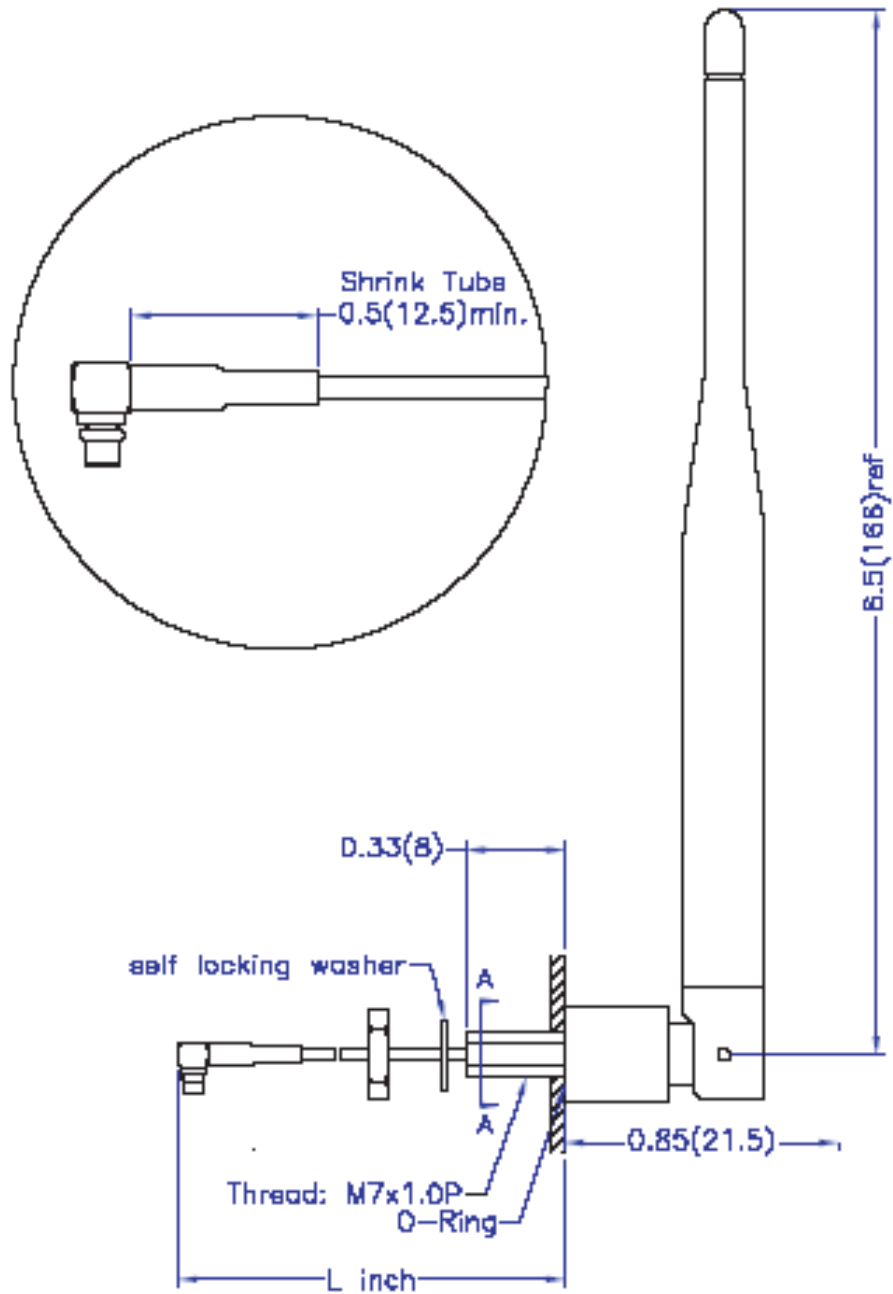


ECN	Date	Description



Electrical Properties:

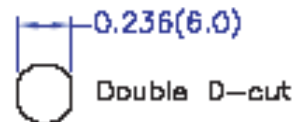
Frequency Range: 2.4~2.5 GHz  
 Impedance: 50Ω nominal  
 VSWR: <2.0:1  
 Gain: \*5.0 dBi  
 Radiation: Omni  
 Polarization: Vertical

\*Gain is measured under without flying lead.

Mechanical Properties:

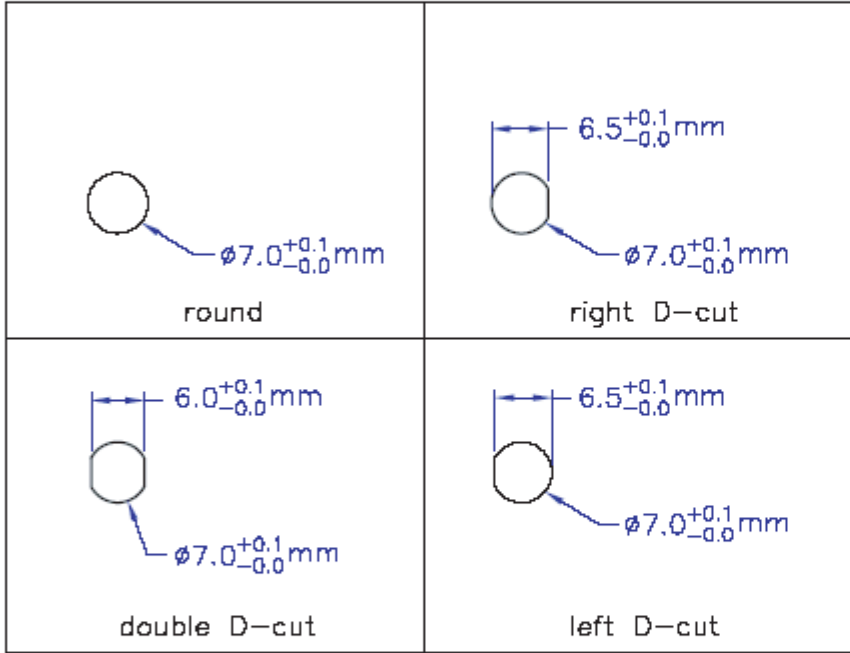
Cable: M17/83-RG17B; Harbour Industries  
 Cable Length: Standard length L=5 inches.  
 or to be specified.  
 Connector: R/A MMCX Plug(male);  
 Nearbon 25-D3M-TGG  
 Material:  
 Overmold: Polyurethens(Black); BASF  
 Swivel: Polyurethens(Black); BASF and  
 Polycarbonate(Black); Bayer  
 Operation Temp.: -20°C to +65°C  
 Storage Temp.: -30°C to +75°C

A-A view-Thread cross-section



TITLE	2.4GHz Fixed Mount Swivel Antenna - 151 Model	DATE	SHEET
UNIT	DWG. #	ACH2-AT-DP004	
in.(mm)			
SCALE	DPAC TECHNOLOGIES		
Name			

ECN	Date	Description



Recommended Mounting-Hole Dimensions

L (inch)	Attenuation (dB)
3"	0.20 dB
4"	0.27 dB
5"	0.33 dB
6"	0.40 dB
8"	0.53 dB
10"	0.66 dB
12"	0.79 dB

Flying Lead Cable Length v.s. Attenuation Table  
Standard M17/93-RG178 Cable Measured @ 2.4GHz

TITLE	2.4GHz Fixed Mount Swivel Antenna - 151 Model		DATE	SHEET
UNIT	DWG. #	ACH2-AT-DP004		2 of 2
in.(mm)				
SCALE	<b>DPAC TECHNOLOGIES</b>			
None				