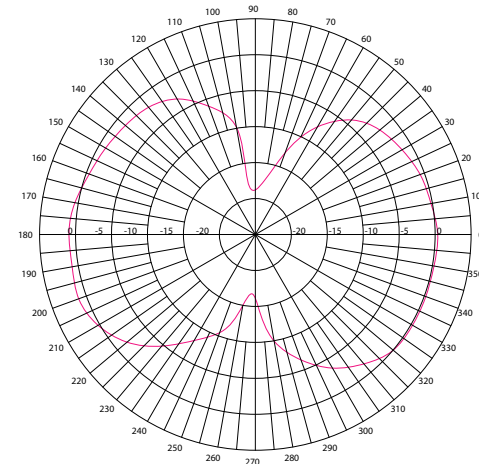
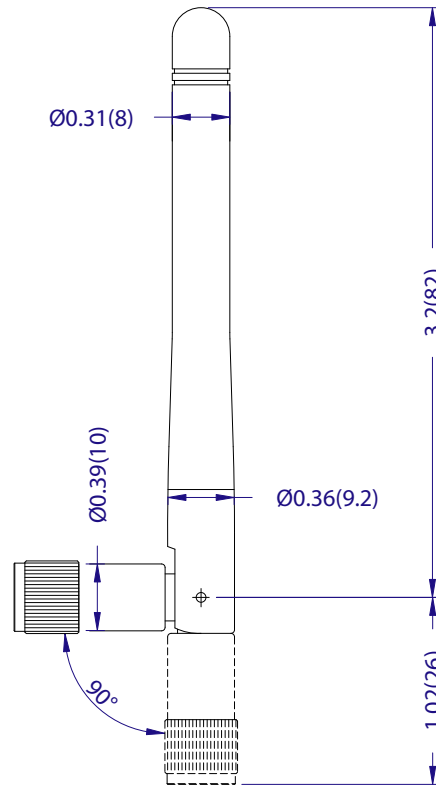
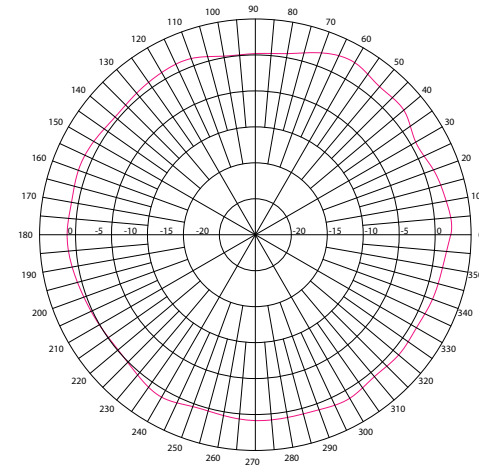


E-Plane Pattern @ 2.45GHz



H-Plane Pattern @ 2.45GHz



Electrical Properties:

Frequency Range: 2.4~2.5 GHz
 Impedance: 50Ω nominal
 VSWR: <2.0:1
 Gain: 2 dBi
 Radiation: Omni
 Polarization: Vertical
 Wave: Half Wave Dipole

Mechanical Properties:

Connector: SMA R/P Plug(female)
 Material: Polyurethene(Black)
 Whip: Polycarbonate(Black)
 Swivel Mechanism: Brass with black chrome plating
 Connector: Brass with black chrome plating
 Operation Temp.: -20°C to +65°C
 Storage Temp.: -30°C to +75°C

TITLE		2.4GHz Swivel Antenna		VER
UNIT	DWG. NO.	ACH2-AT-DP002		
in.(mm)	DPAC			
SCALE				
1:1				